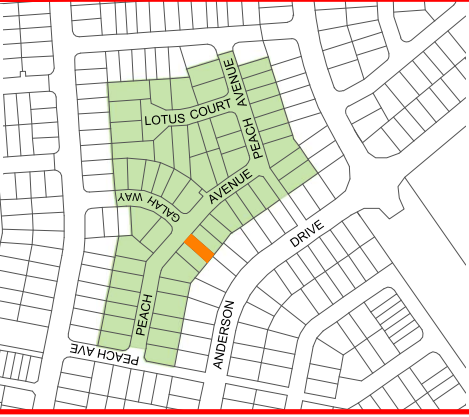




Everleigh



PRECINCT 10.3



NOTES

This plan has been prepared from preliminary survey plan (SP344913) and engineering plans provided on the 11/03/2024 by Premise Civil Engineering Pty Ltd.

The current development approval was granted for this subdivision (DEV202212777) by the Minister for Economic Development Queensland on 15th of December 2023.

The relevant authorities have granted operational works approval for the proposed lot.

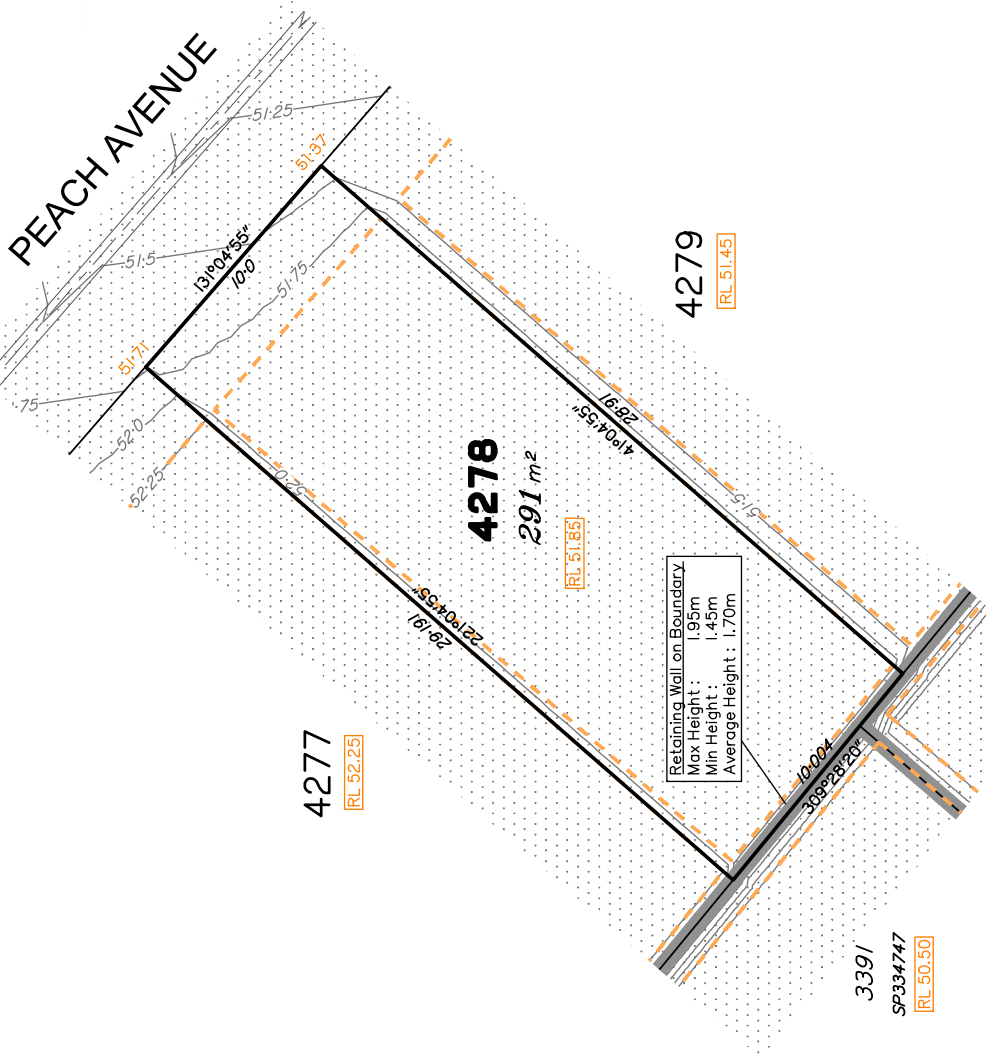
The purchaser should refer to the applicable development approvals for building and/or other requirements that may be applicable to the lot.

Extent of retaining walls shown indicatively only. Retaining walls may not extend the full length of a lot boundary where finished level between allotments is less than 0.5m.

Parts of this lot may be subject to rip and re-compact earthwork procedures as determined by site conditions. This process may be completed in cut locations to assist the house pad construction. Any re-compaction will comply with AS3798 requirements and certified by a third party company.

No.	by	Date	Chkd	Description
A	MD	03/04/24	PS	Original Issue

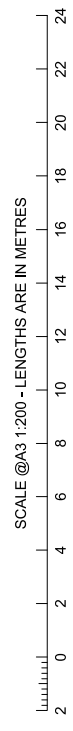
Level Datum: AHD der.
 Origin of Levels: PSM 2003673
 RL of Origin: 54.070
 Contour Interval: 0.25m
 Scale @A3: 1:200
 Dwg No. 7598 S 65 DP A_4278



LEGEND

- Area of Fill
- Area of Cut
- Design Contours
- Depth of Fill Contours
- Retaining Wall
- Tiered Retaining Wall
- Earthworks Pad
- Finished Pad Design Level
- Finished Surface Design Level

(Not all items in this legend may be relevant to the lot shown herein)



This Disclosure Plan is prepared for the sole purpose of satisfying the disclosure requirements of the Land Sales Act and SHOULD NOT be used for any other purpose, particularly as-constructed purposes. This information is compiled from design plans only, unless otherwise stated, and therefore is subject to final survey and construction of operational works.

Disclosure Plan for Proposed Lot 4278 on SP344913
 Described as part of Lot 9003 on SP344891
 Existing Title Reference: 51344722
 Locality of Greenbank (Logan City Council)

Saunders Havill Group Pty Ltd ABN 24 144 972 949
 Brisbane # Springfield
 head office 9 Thompson St Bowen Hills Q 4006
 phone 1800 83 516 web www.saundershavill.com

